



## Shower-Ware® 410-BF Series

Apex Type 1, Flush Mounted Barrier Free Showers - ADA Compliant



412-BF-W

Fixture May Show Some Available Options

Please visit [www.acorneng.com](http://www.acorneng.com) for most current specifications.

### Apex Type 1, Flush Mounted Barrier Free Showers - ADA Compliant

**Barrier Free Shower** includes an ADA compliant control valve with lever handle or pushbutton, fixed shower head, a quick disconnect hand shower with vacuum breaker and flow control, a lever handle diverter valve, recessed soap dish, a two-wall stainless steel grab bar and a 1103 series padded vinyl folding seat. Unit conforms with ANSI, UFAS and ADA requirements for accessibility. Compliance is subject to the interpretation and requirements of the local code authority.

**Shower Panel** is 14 gage, type 304 stainless steel with satin finish.

**Reach.** All controls, soap dish, etc., must be 38" to 48" from the finished floor to be within reach of a seated bather with limited arm movement.

**Shower Head.** A shower head on a five foot stainless steel hose (hand shower) is provided for seated bathers. A conventional fixed shower head is also provided at 6'-0" discharge height. Shower head is solid brass, triple chrome-plated and includes a built-in 2.5 GPM flow restrictor. The Acorn Logan Wizard Shower Head design provides self-cleaning with every use, and has an adjustable spray pattern from a coarse stream to a fine mist.

**Valves.** Disabled bathers should be provided with protection against sudden hot or cold "shock". Pressure balancing valves such as our Safti-Trol® are often required and are strongly recommended. Indicate valve by selection of appropriate Shower-Ware® figure numbers.

**Seat and Privacy Compartments.** Disabled bathers understandably should be given privacy while bathing. In addition, there is the requirement to provide a seat opposite the controls. This suggests constructing an alcove, partial wall or providing a reinforced privacy panel for mounting the seat (suffix option -RP).

#### GUIDE SPECIFICATION

Provide and install an Acorn Apex Flush Mounted, Barrier Free ADA Compliant Wall Shower (specify model number and options). Shower panel shall be fabricated from 14 gage, type 304 stainless steel and shall have a satin finish. Exposed trim shall be chrome-plated brass. Fixture shall be furnished with an ADA compliant control valve with lever handle or pushbutton, fixed shower head, a quick disconnect hand shower with vacuum breaker and flow control, a lever handle diverter valve, recessed soap dish, a two-wall stainless steel grab bar and a padded vinyl folding seat. Units to conform with ANSI, UFAS and ADA requirements for accessibility.

# Shower-Ware®: 410-BF Apex Type 1, Flush Mounted Barrier Free Showers - ADA Compliant



## MODEL NUMBER AND OPTIONS SELECTION

### SERIES (Must Specify)

4 - Apex

### TYPE (Must Specify)

-1 - Flush-Mounted Barrier Free ADA Showers

### VALVE SELECTION (Must Specify)

- 0-BF Electronic Valves, Single Temp. Metering
- 2-BF Safti-Trol, H & C Pressure Balancing
- 4-BF Single-Trol, H & C Mixing
- 5-BF Flo-Cloz, Single Temperature
- 6-BF Air-Control, Single Temperature Metering

**Seat Orientation (Must Specify)** \_\_\_ Left \_\_\_ Right

### ELECTRONIC VALVE SELECTION

**(Refer to Valves Section for Submittal Data)**

- EVS1 Electronic Valve System - Single Temp
- MVC1 Time-Trol - Single Temp

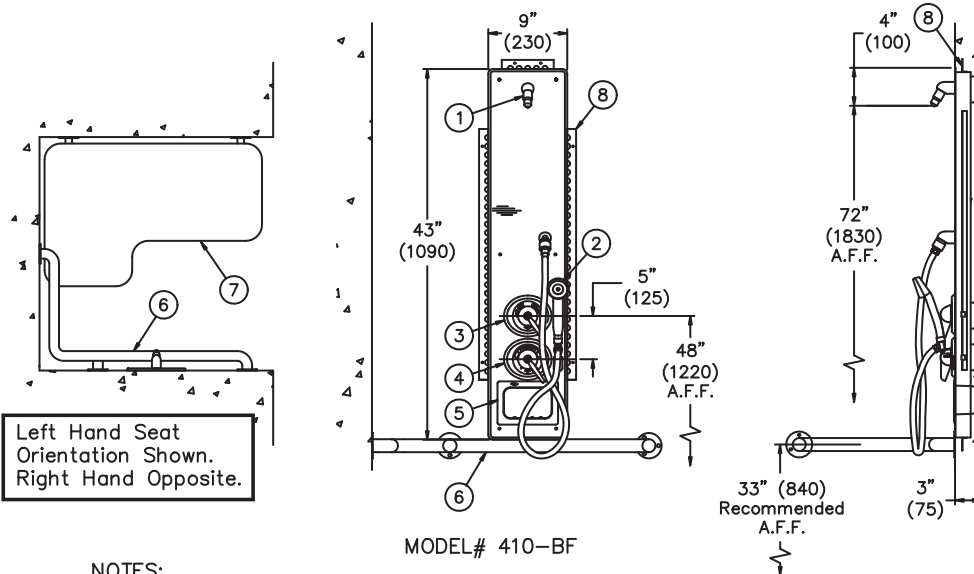
### SUPPLY (Must Specify)

-W Wall Supply

### Product Options

- BAT Battery Operated (-MVC1)
- CI Cycle Interrupt
- CH Curtain with Headrail - 36" Opening
- CSH Conical Showerhead
- D Soap Dish in Lieu of Recessed
- EG Enviro-Glaze Color, Specify \_\_\_\_\_
- EH Extended Head 17.5 Degree Discharge
- F Flow Control 2.0 GPM
- FSS Stainless Steel Folding Seat in Lieu of Padded
- G Individual Stops
- GX Individual Check stops
- H Hand Volume Control
- K Allen Key Volume Control
- LFS Less Padded Folding Seat
- LGB Less Grab Bar
- LRD Less Recessed Soap Dish
- MS Modular Privacy Compartments (See Diana Privacy Tab)
- MSH Multi-Stream Shower Head
- P Penal Shower Head
- PBH Hemispherical Pushbutton
- PO Piston-Operated Safti-Trol Valve
- RP Reinforced Panel for Folding Seat with Curtain
- SB 24" Slide Bar (Shipped Loose)
- TF Transformer
- WS Without Showerhead
- Y Universal Ball Joint
- YY Lockable Universal Ball Joint
- Z Up-Down Ball Joint
- ZZ Lockable Up-Down Ball Joint

Please visit [www.acorneng.com](http://www.acorneng.com) for most current specifications.



#### NOTES:

1. Shower Head.
2. Handshower with 60" Hose.
3. Diverter Valve.
4. Safti-Trol H & C Pressure Balancing Valve.

5. Recessed Soap Dish.
6. Two-Wall Grab Bar.
7. Padded Seat. Left Hand Orientation Shown.
8. Wall Mounting Frame With Plaster Flange.

<b>Important:</b> Installation instructions and current rough-in are furnished with each fixture. Do not rough in without certified dimensions. Dimensions are subject to manufacturer's tolerance of plus or minus 1/4" and change without notice. Acorn assumes no responsibility for use of void or superseded data. © Copyright 2007 Acorn Engineering Company	
<p style="text-align: center;">Selection Summary</p> <p>Model No. &amp; Option _____</p> <p>Quantity _____</p>	<p style="text-align: center;">Approved for Manufacturing</p> <p>Company _____ Title _____</p> <p>Signature _____ Date _____</p>