



## Shower-Ware® 900 Series

Pylon Showers One to Four Station Models



927-FS

Fixture May Show Some Available Options

Please visit [www.acorneng.com](http://www.acorneng.com) for most current specifications.

### Pylon Showers One to Four Station Models

**Pylon Shower** is heavy gage, type 304 stainless steel with a satin finish. Pylon Showers are completely pre-piped to the valve and shower head. All Pylon Showers are hydrostatically tested to 150 PSI.

**Shower Heads** are solid brass, triple chrome-plated and include built-in 2.5 GPM flow restrictor. The Acorn Logan Wizard Shower Head design provides self-cleaning with every use, and has an adjustable spray pattern from a coarse stream to a fine mist.

**Bronze Valve Bodies** are used for long life and maximum corrosion protection in all Pylon Showers with Flo-Cloz and Meter-Matic controls. Fittings for connecting to 3/4" NPT pipe are furnished.

**Control Valve** type is indicated by selected Pylon model number. All valves have replaceable cartridges which contain all wearing parts.

**Anchor Plate** is cold rolled steel with a rust preventative coating, and provides a secure mounting for the Pylon. Inlet size is for a 3/4" NPT pipe connection.

**Fasteners.** Acorn furnishes all exposed tamper-resistant fasteners necessary to complete the on-site shower assembly installation.

#### GUIDE SPECIFICATION

Provide and install Acorn Pylon Showers (specify model number and options). Pylon shall be 14 gage, type 304 stainless steel with a satin finish. Pylon shall be factory pre-piped and hydrostatically tested to 150 PSI. Anchor base shall be heavy steel plate with a rust preventative coating. Shower head discharge height shall be (specify). Installation shall be made in accordance with manufacturer's recommendations and details.



# Shower-Ware®: 900 Pylon Showers One to Four Station Models

## Shower Head Discharge Height (Not Part of Model Number)

\_\_6'-0"\_\_5'-6"\_\_5'-0"\_\_Other (Specify) \_\_\_\_\_

## MODEL NUMBER AND OPTIONS SELECTION

### SERIES (Must Specify)

9 Pylon Shower

### NUMBER OF STATIONS (Must Specify)

\_\_ 1 \_\_ 2 \_\_ 3 \_\_ 4

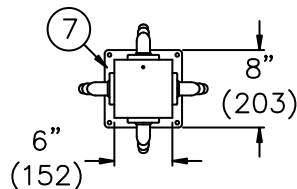
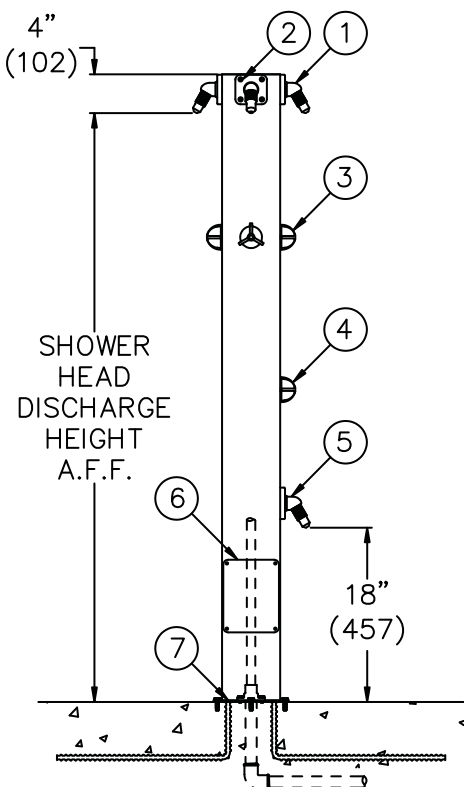
### VALVE (Must Specify)

- 5 Flo-Cloz, Single Temperature
- 6 Air-Control, Single Temperature Metering
- 7 Meter-Matic, Single Temperature Metering
- 9 Without Valves (Remote Control)

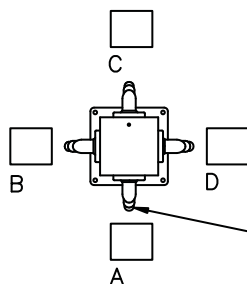
### Product Options

- F Flow Control 2.0 GPM
- FS Foot Shower at One Station
- FX Hand Shower With 60" Stainless Steel Hose
- GG Unit Shutoff Valve
- H Hand Volume Control
- HL Hi-Lo Mounting Brackets (For Handshower)
- K Allen Key Volume Control
- LVR Lever Handle (-5 Valve Only)
- MSH Multi-Stream Shower Head
- P Penal Shower Head
- Y Universal Ball Joint
- YY Lockable Universal Ball Joint
- Z Up-Down Ball Joint
- ZZ Lockable Up-Down Ball Joint

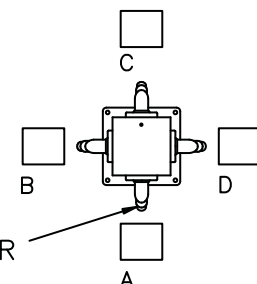
Please visit [www.acorneng.com](http://www.acorneng.com) for most current specifications.



CHECK BOX FOR LOCATION OF SHOWER HEADS



CHECK BOX FOR LOCATION OF FOOT SHOWER



#1 STATION (LABELED FOR ORIENTATION REFERENCE ONLY)

### NOTES:

- 1. Shower Head.
- 2. Tamper Resistant Fasteners.
- 3. Control Valve.
- 4. Optional (-FS) Control Valve.
- 5. Optional -FS Foot Shower Head.
- 6. Access Cover for -GG option.
- 7. Anchor Plate.

MODEL# 900-SERIES

|  |  |
|--|--|
| <b>Important:</b> Installation instructions and current rough-in are furnished with each fixture. Do not rough in without certified dimensions. Dimensions are subject to manufacturer's tolerance of plus or minus 1/4" and change without notice. Acorn assumes no responsibility for use of void or superseded data. © Copyright 2007 Acorn Engineering Company |  |
| <p style="text-align: center;">Selection Summary</p> <p>Model No. &amp; Option _____</p> <p>Quantity _____</p>   | <p style="text-align: center;">Approved for Manufacturing</p> <p>Company _____ Title _____</p> <p>Signature _____ Date _____</p> |