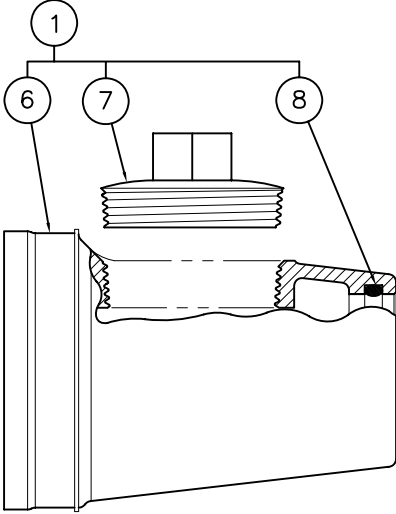




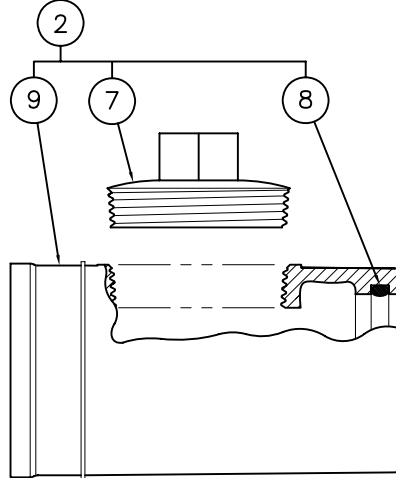
**SUFFIX -C01**

**4" NO-HUB TO 2-3/8" O.D. O-RING**



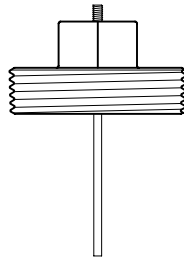
**SUFFIX -C01-3**

**3" NO-HUB TO 2-3/8" O.D. O-RING**



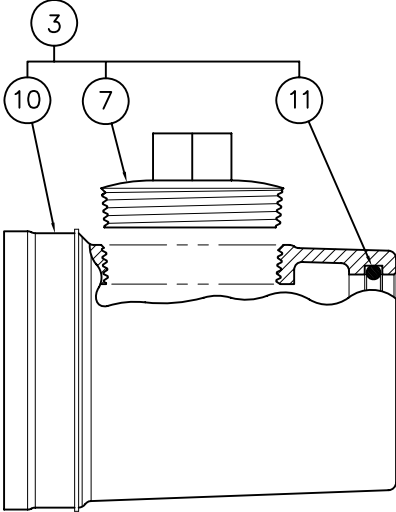
5

**-PC PINNED CLEAN-OUT  
PLUG 2-1/2" NPT  
ASSEMBLY**

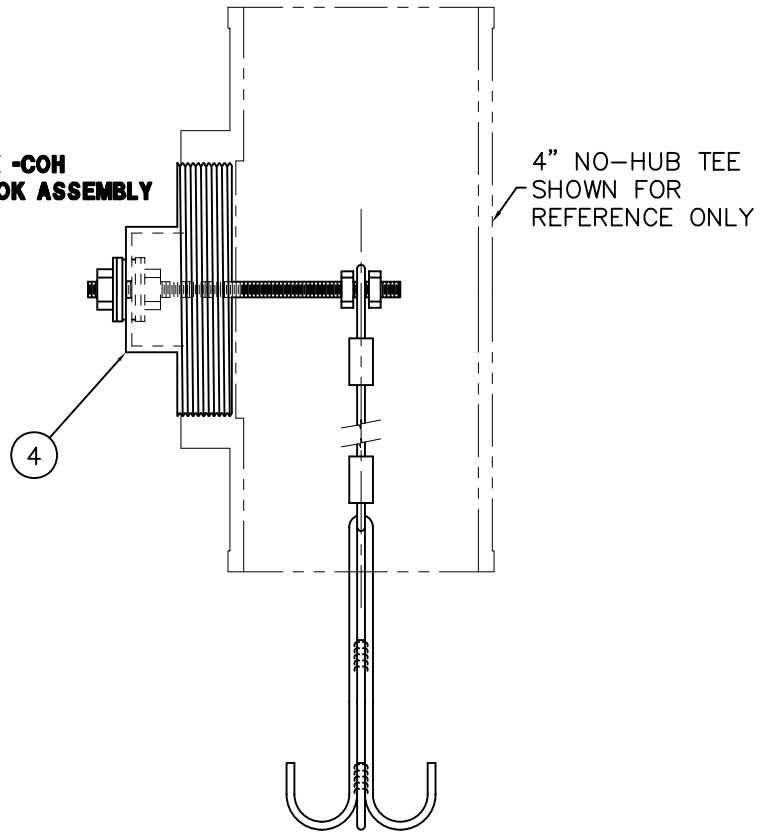


**SUFFIX -C01-W03**

**4" NO-HUB TO 3" O.D. O-RING**



**SUFFIX -COH  
CLEANOUT HOOK ASSEMBLY**



|      |              |                                     |      |              |                                |
|------|--------------|-------------------------------------|------|--------------|--------------------------------|
| 1    | 4908-069-001 | 4" NO-HUB TO 2-3/8" OD WASTE CONN   | 7    | 1834-081-000 | DWV PLUG (PLASTIC)             |
| 2    | 4908-064-001 | 3" NO-HUB TO 2-3/8" OD WASTE CONN   | 8    | 0401-332-000 | O-RING                         |
| 3    | 4913-040-001 | 4" NO-HUB TO 3" OD WASTE CONNECTION | 9    | 4908-060-199 | 3" NO-HUB CONNECTOR w/CLEANOUT |
| 4    | 4913-105-001 | VERTICAL CLEAN-OUT HOOK ASSEMBLY    | 10   | 4913-040-199 | 4" NO-HUB CONNECTOR w/CLEANOUT |
| 5    | 1836-081-001 | -PC PINNED CLEAN-OUT PLUG ASSEMBLY  | 11   | 0401-337-000 | O-RING                         |
| 6    | 4908-065-199 | 4" NO-HUB CONNECTOR w/CLEANOUT      |      |              |                                |
| ITEM | PART NUMBER  | DESCRIPTION                         | ITEM | PART NUMBER  | DESCRIPTION                    |

ACORN ENGINEERING COMPANY  
P.O. BOX 3527 INDUSTRY, CA. 91744  
(626) 336-4561 FAX (626) 961-2200

TITLE **CLEANOUT WITH O-RING NO-HUB -C01 & THREADED -C02**

|                   |                 |                     |
|-------------------|-----------------|---------------------|
| MANUFACTURE DATE  | DATE ISSUED     | DRAWING NUMBER      |
| <b>JULY 1989</b>  | <b>09/08/09</b> | <b>9985-125-002</b> |
| <b>TO PRESENT</b> | DATE REVISED    |                     |