



Penal-Ware® 1420FA Series 20" Lav-Toilet Comby - Front Access



1420FA-LO-2-BP-04-PHF

Fixture May Show Some Available Options



Please visit www.acorneng.com for most current specifications.

20" Lav-Toilet Comby - Front Access

Fixture is factory piped, tested, and arranged to be installed on finished wall through access panels. Panels are located on sides of cabinet and are secured with tamper-resistant screws. Front Access fixtures are only available as On-Floor models. Back of fixture is provided with six mounting points as well as supply and waste connections. Fixture is fabricated from 14 gage type 304 stainless steel cabinet and toilet bowl, polished to a satin finish. The inside of the toilet bowl also has a satin finish. Optional Wall Sleeve is recommended to provide greater access to make plumbing connections.

Lavatory Oval Bowl is 14-3/4" x 9-1/2" x 5" deep. Optional Rectangular Bowl is 14-1/2" x 9-1/2" x 5" deep. Standard P-trap waste outlet is 1-1/2" O.D. plain end.

Toilet is blowout jet type with elongated bowl manufactured to ASME A112.19.3 and CSA B45.4 requirements and will flush with a minimum of 25 PSI flow pressure when used in conjunction with a minimum of 1.28 GPF. Trap has a minimum 3-1/2" seal and will pass a 2-1/8" ball. Toilet waste outlet is Gasketed Waste.

Optional Valve may be an Air-Control pneumatically operated, pushbutton valve using atmospheric air. Pushbutton is vandal-resistant and requires less than 5 pounds to activate valve. Valve is direct acting, non-metering type and is optionally available as metering with non-hold open feature. Metering valve timing is adjustable from 5 to 60 seconds. Valve includes a 0.5 GPM flow control. Valve and bubbler conform with lead-free requirements for NSF61, section 9 and CHSC 116875.

Regularly Furnished items include a hydraulic flush valve, a fast drain, a removable P-trap, an integral self-draining soap dish and mounting hardware. Wall anchors by others.

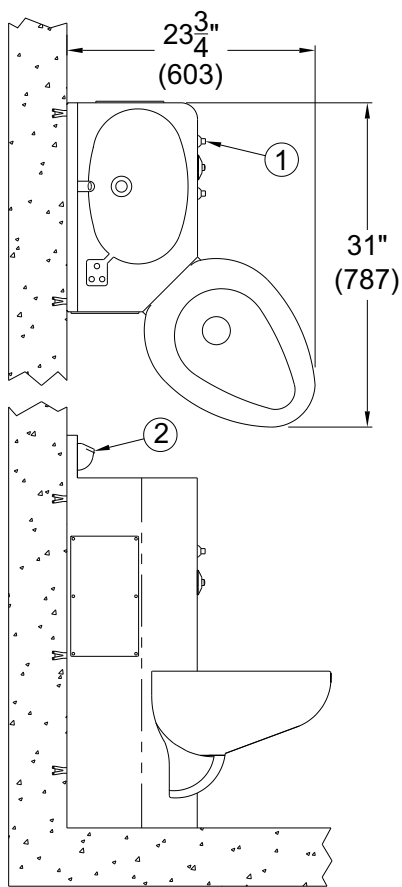
GUIDE SPECIFICATION

Provide and install Acorn Penal-Ware 20" wide Lav-Toilet Comby - Front Access (specify model number and options). Fixture is factory piped, tested, and arranged to be installed on finished wall through access panels. Fixture shall have factory installed Air-Control lavatory valve and a hydraulic flush valve. Provide Air-Control pneumatically operated pushbutton valve. Valve and bubbler conform with lead-free requirements for NSF61, section 9 and CHSC 116875. Fixture shall be fabricated from 14 gage, type 304 stainless steel. Construction shall be seamless welded and exposed surfaces shall have a satin finish. Access Panels shall be secured with tamper-resistant screws. Countertop shall have an air-circulating, self-draining soap dish. Toilet shall be concealed blowout jet type with an elongated bowl, a self-draining flushing rim, and an integral contoured seat. Toilet shall meet ASME A112.19.3 and CSA B45.4 requirements and will flush with a minimum of 25 PSI flow pressure when used in conjunction with a minimum of 1.28 GPF. Toilet trap shall have a minimum 3-1/2" seal that shall pass a 2-1/8" diameter ball and be fully enclosed. Cabinet interior is sound-deadened with fire-resistant material. Fixture shall be furnished with necessary fasteners for proper installation.

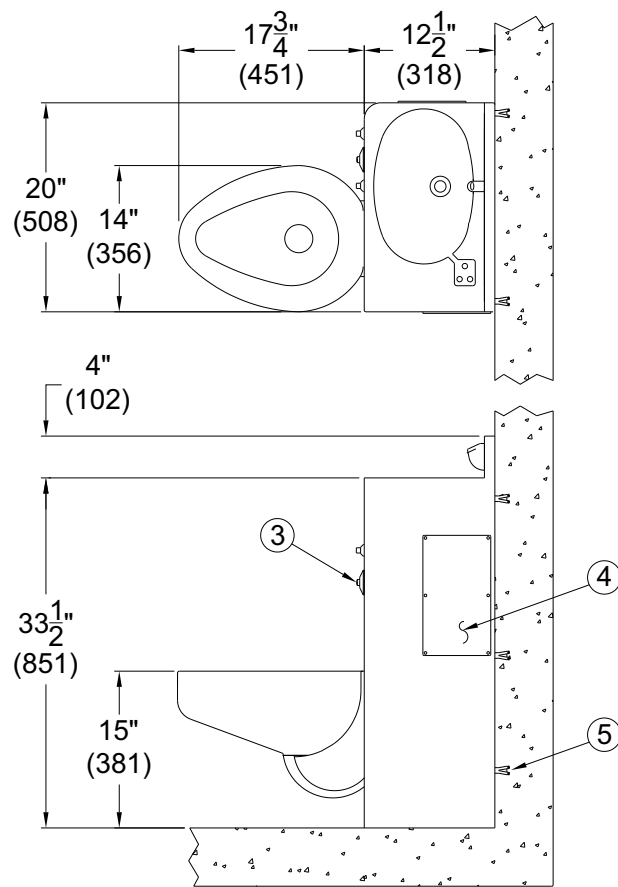


NOTES:

1. OPTIONAL -04 HOT & COLD PUSHBUTTONS SHOWN
2. OPTIONAL LAVY -BP PENAL BUBBLER SHOWN
3. HYDRUALIC -FV FLUSH VALVE PUSHBUTTON
4. ACCESS PANELS
5. WALL ANCHORS BY OTHERS



1420FA-AL-2-BP-04



1420FA-RO-1-BP-04



Penal-Ware® 1420FA: 20" Lav-Toilet Comby - Front Access

WALL THICKNESS AND TYPE (Must Specify)

Thickness: _____ Type: Concrete Block Steel

MODEL AND OPTIONS SELECTION:

BASE MODEL NUMBER

1420FA 20" Lav-Toilet Comby - Front Access

TOILET ORIENTATION (Must Specify)

- AL Angled Left
- AR Angled Right
- LO Left Offset
- RO Right Offset

FIXTURE MOUNTING AND WASTE (Must Specify)

- 2 On-Floor, Wall Outlet
- 3 On-Floor, Floor Outlet

BUBBLER SELECTION (Must Specify)

- BC Bubbler, Code
- BP Bubbler, Penal
- BPH Bubbler, Penal Hemispherical
- LF Lav-Filler

VALVE SELECTION (Must Specify)

Air-Control (Pneumatic)

- 03 Single Temp, Non-Metering
- 03-M Single Temp, Metering
- 04 Hot & Cold, Non-Metering
- 04-M Hot & Cold, Metering
- 04-MH Hot & Cold, Metering Hot Side Only

Master-Trol® (Electronic)

- EVS1 Single Temp
- EVS2 Hot & Cold
- EVSP1 Single Temp, Piezo Button
- EVSP2 Hot & Cold, Piezo Buttons

Master-Trol® PLUS (Electronic)

- MTP1 Single Temp
- MTP2 Hot & Cold
- MTPP1 Single Temp, Piezo Button
- MTPP2 Hot & Cold, Piezo Buttons

-MTP VALVE OPTION

- PFB Power Failure Bypass Provides drinking water in the event of power failure)

Time-Trol® (Electronic)

- MVC1 Single Temp
- MVC1-BAT Single Temp Battery Powered (Batteries Not Included)
- MVC2 Hot & Cold
- MVC2-BAT Hot & Cold Battery Powered (Batteries Not Included)

Programmable (Electronic) w/9VDC Plug-In Transformer

- PPZ1 Single Temp Programmable Piezo Button
- PPZ2 Hot & Cold Programmable Piezo Button

Valve By Others

- 9 Punched for Valve by Others

VALVE OPTIONS

- BRS Brass Body Valve
- CI Cycle Interrupt for Time-Trol® Valves
- PBH Hemispherical Pushbutton
- TF Transformer, 120VAC to 24VAC (-MVC option only)

FLUSH VALVE GPF's (Must Specify)

- 1.28 GPF (HET)
- 1.6 GPF (Not Available in California)
- 3.5 GPF (Not Available in California)

FLUSH VALVE OPTIONS (Must Specify)

- EVSFV Master-Trol® Electronic Flush Valve
- EVSPFV Master-Trol® Electronic Flush Valve w/ Piezo Button
- FVBO Flush Valve by Others
- FVH Flush Valve, Hydraulic
- MTPFV Master-Trol® PLUS Electronic Flush Valve
- MTPPFV Master-Trol® PLUS Electronic Flush Valve w/ Piezo Button
- MVCFV Time-Trol® Electronic Flush Valve

CABINET OPTIONS

- FMT Fixture Mounted Trim
- IS Integral Shelf
- LRB Lavatory Rectangular Bowl
- PH Paper Holder L R F
- TB Toothbrush Holder Left Right
- TG 12 Gage Cabinet
- TH Towel Hook Single Double Left Right
- VG1 Vent Grille, 5-3/4" x 8-3/4" L R LF RF
- VG3 Vent Grille, 8-3/4" x 8-3/4" L R

LAVATORY WASTE OPTIONS

- CW Combined Waste
- OF Lavatory Overflow

TOILET OPTIONS

- FT Flood-Trol (Manual Reset)
- FTA Flood-Trol, Auto-Reset
- FTE Flood-Trol, Electronic
- HPS High Polish Seat
- HS Hinged Seat
- SPS Ligature Resistant Skirt
- TSC Toilet Shipping Cover

PRODUCT OPTIONS

- EG Enviro-Glaze Color Specify: _____
Toilet Interior & Exterior
- EGE Enviro-Glaze Color Specify: _____
Toilet Exterior Only
- LPFV Less Punching for Flush Valve
- MT Metal Template (Only 1 Required Per Project)
- SW Wall Sleeve
- VAC AcornVac System

Please visit www.acorneng.com for most current specifications.

WARNING: Cancer and Reproductive Harm - www.P65Warnings.ca.gov

<p>Important: Installation instructions and current rough-in are furnished with each fixture. Do not rough in without certified dimensions. <small>Dimensions are subject to manufacturer's tolerance of plus or minus 1/4" and change without notice. Acorn assumes no responsibility for use of void or superseded data. © Copyright 2009 Acorn Engineering Company</small></p>	
<p style="text-align: center;">Selection Summary</p> <p>Model No. & Option _____</p> <p>Quantity _____</p>	<p style="text-align: center;">Approved for Manufacturing</p> <p>Company _____ Title _____</p> <p>Signature _____ Date _____</p>