



## Penal-Ware® 1432FA-ALAR Series ADA 2010 Compliant - Compact Lav/Toilet Comby - Front Access



1432FA-AL-2-BP-04-M

Fixture May Show Some Available Options



Please visit [www.acorneng.com](http://www.acorneng.com) for most current specifications.

### ADA 2010 Compliant - Compact Lav/Toilet Comby - Front Access

**IMPORTANT:** For Compliance with CBC Calif. Title 24 refer to LR1432FA-ALAR series model.

**Fixture** is arranged to be installed on finished wall and serviced thru removable access panels that provide access to six mounting points as well as supply connections. Panels are located below the lavy and on side of cabinet and secured with tamper-resistant screws. Fixture is fabricated with 14 gage type 304 stainless steel cabinet and toilet bowl and is seamless welded construction with a satin finish. The inside of the toilet bowl also has a satin finish. Cabinet interior is sound-deadened with fire-resistant material. Unit complies with ANSI, UFAS and ADA 2010 requirements regarding toilets and lavatory fixtures. Compliance is subject to the interpretation and requirements of the local code authority.

**Lavatory Oval Bowl** is 9-3/4" x 13-1/2" x 4" deep. Standard 1-1/2" OD removable P-trap with plain end waste connection.

**Spouts or Bubblers** are located on the backsplash to the rear of the bowl with valve controls located to the right and/or left of the spout or bubbler. Location of the spout or bubbler on the fixture does not fulfill ADA Drinking Fountain requirements.

**Optional Lavatory Valve** may be an Air-Control pneumatically operated, pushbutton valve with 0.5 GPM flow control. Pushbutton requires less than 5 lbs. to activate valve. Valve is metering, non-hold open type. Timing is from 5 to 60 seconds. Valve can be remotely located up to 10 feet from the operating pushbutton. Valve and bubbler conform with lead-free requirements for NSF61, section 9 and CHSC 116875.

**Toilet** is blowout jet type with elongated bowl manufactured to ASME A112.19.3 and CSA B45.4 requirements and will flush with a minimum of 25 PSI flow pressure when used in conjunction with a minimum of 1.28 GPF. Trap has a minimum 3-1/2" seal and will pass a 2-1/8" ball. The inside of the toilet bowl has a matte finish. Toilet waste outlet is Gasket Waste with 2-3/8" OD trap way. Unit is provided with a hydraulically actuated flush valve (shipped loose).

**Integral Grab Bar** is heavy gage type 304 stainless steel construction, 1-1/2" diameter x 36" long. Grab bar is welded to the cabinet behind the toilet with two wall anchoring points on the wall side plate. Important: Optional Grab Bar Closure Plate may affect ADA Conformance.

**Regularly Furnished** items include wall mounting hardware. Wall anchors by others.

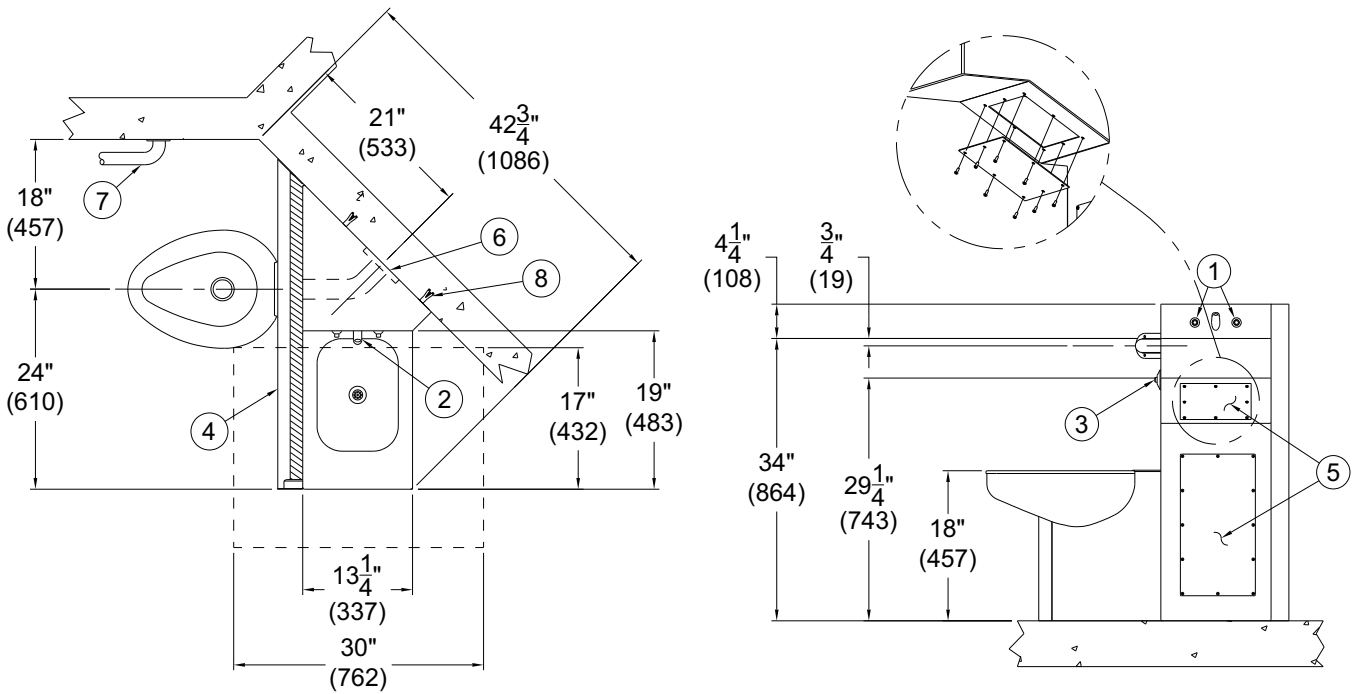
#### GUIDE SPECIFICATION

Provide and install Acorn Penal-Ware ADA 2010 Compact Compliant Lav/Toilet-Comby-Angled Toilet Bowl-Angled Lavy (specify model number and options). Unit shall conform with ANSI, UFAS and ADA requirements. Fixture shall be fabricated from type 304 stainless steel. Construction shall be seamless welded and exposed surfaces shall have a satin finish. Provide an integral grab bar to be located behind toilet. Fixture shall have an Air-Control pneumatically operated, metering, non-hold open pushbutton valve. Valve shall require less than 5 lbs. to activate. Valve and bubbler conform with lead-free requirements for NSF61, section 9 and CHSC 116875. Toilet shall be concealed blowout jet type with an elongated bowl, a self-draining flushing rim and an integral contoured seat. Toilet shall meet ASME A112.19.3 and CSA B45.4 requirements and will flush with a minimum of 25 PSI flow pressure when used in conjunction with a minimum of 1.28 GPF. Toilet trap shall have a minimum 3-1/2" seal that shall pass a 2-1/8" diameter ball and be fully enclosed. Cabinet interior is to be sound-deadened with fire-resistant material. Fixture shall be furnished with necessary fasteners for proper installation.



NOTES:

1. -04 Hot & Cold Pushbuttons Shown
2. Lavy -BP Penal Bubbler Shown
3. Hydraulic -FV Flush Valve Pushbutton
4. Integral Grab Bar w/ Optional -GBC Grab Bar Closure Plate
5. Access Panels
6. Gasket Waste Outlet
7. 42" Grab Bar By Others
8. Wall Mounting Anchors (By Others)



1432FA-AL-2-BP-04-M-GBC (-AR OPPOSITE)

**Penal-Ware® 1432FA-ALAR:** ADA 2010 Compliant - Lav/Toilet Comby - Front Access



**WALL THICKNESS AND TYPE (Must Specify)**

Thickness: \_\_\_\_\_ Type:  Concrete  Block  Steel

**MODEL AND OPTIONS SELECTION:**

**BASE MODEL NUMBER**

1432FA ADA Lav-Toilet Comby

**TOILET ORIENTATION (Must Specify)**

- AL Angled Left
- AR Angled Right

**FIXTURE MOUNTING AND WASTE (Must Specify)**

- 2 On-Floor, Wall Outlet
- 3 On-Floor, Floor Outlet

**BUBBLER SELECTION (Must Specify)**

- BC Bubbler, Code
- BP Bubbler, Penal
- BPH Bubbler, Penal Hemispherical
- LF Lav-Filler

**VALVE SELECTION (Must Specify)**

**Air-Control (Pneumatic)**

- 03 Single Temp, Non-Metering
- 03-M Single Temp, Metering
- 04 Hot & Cold, Non-Metering
- 04-M Hot & Cold, Metering
- 04-MH Hot & Cold, Metering Hot Side Only

**Master-Trol® (Electronic)**

- EVS1 Single Temp
- EVS2 Hot & Cold
- EVSP1 Single Temp, Piezo Button
- EVSP2 Hot & Cold, Piezo Buttons

**Master-Trol® PLUS (Electronic)**

- MTP1 Single Temp
- MTP2 Hot & Cold
- MTPP1 Single Temp, Piezo Button
- MTPP2 Hot & Cold, Piezo Buttons

**-MTP VALVE OPTION**

- PFB Power Failure Bypass (Provides drinking water in the event of power failure)

**Time-Trol® (Electronic)**

- MVC1 Single Temp
- MVC1-BAT Single Temp Battery Powered (Batteries Not Included)
- MVC2 Hot & Cold
- MVC2-BAT Hot & Cold Battery Powered (Batteries Not Included)

**Programmable (Electronic) w/9VDC Plug-In Transformer**

- PPZ1 Single Temp Programmable Piezo Button
- PPZ2 Hot & Cold Programmable Piezo Button

**Valve By Others**

- 9 Punched for Valve by Others

**VALVE OPTIONS**

- BRS Brass Body Valve
- CI Cycle Interrupt for Time-Trol® Valves
- PBH Hemispherical Pushbutton
- TF Transformer, 120VAC to 24VAC (-MVC option only)

**FLUSH VALVE GPF's (Must Specify)**

- 1.28 GPF (HET)
- 1.6 GPF (Not Available in California)
- 3.5 GPF (Not Available in California)

**FLUSH VALVE OPTIONS (Must Specify)**

- EVSFV Master-Trol® Electronic Flush Valve
- EVSPFV Master-Trol® Electronic Flush Valve w/ Piezo Button
- FVBO Flush Valve by Others
- FVH Flush Valve, Hydraulic
- MTPFV Master-Trol® PLUS Electronic Flush Valve
- MTPPFV Master-Trol® PLUS Electronic Flush Valve w/ Piezo Button
- MVCFV Time-Trol® Electronic Flush Valve

**CABINET OPTIONS**

- FMT Fixture Mounted Trim
- GBC Grab Bar Closure Plate (May Affect ADA Conformance)
- GBC2 Grab Bar & Lavy Closure Plate (May Affect ADA Conformance)
- LGB Less Grab Bar
- PH Paper Holder, not ADA Compliant (Same Side as Toilet)
- TB Toothbrush Holder  Left  Right
- TG 12 Gage Cabinet
- TH Towel Hook (Lavy Side)  Single  Double

**LAVATORY WASTE OPTIONS**

- CW Combined Waste
- LWE Lavy Waste Extension (3" Standard) Specify Length Beyond Fixture: \_\_\_\_\_
- OF Lavatory Overflow

**TOILET OPTIONS**

- FT Flood-Trol (Manual Reset)
- FTA Flood-Trol, Auto-Reset
- FTE Flood-Trol, Electronic
- HPS High Polish Integral Seat
- HS Hinged Seat
- PE Plain End Waste (Extended 3" Beyond Fixture) Punched for Seat by Others
- PFS Ligature Resistant Skirt
- TSC Toilet Shipping Cover
- TWE Toilet Waste Extension (Only Avail. w/ -PE Option) Specify Length Beyond Fixture: \_\_\_\_\_

**PRODUCT OPTIONS**

- EGE Enviro-Glaze Color Specify: \_\_\_\_\_ Toilet Exterior Only
- LPFV Less Punching for Flush Valve
- SW Wall Sleeve
- VAC AcornVac System

Please visit [www.acorneng.com](http://www.acorneng.com) for most current specifications.

**WARNING:** Cancer and Reproductive Harm - [www.P65Warnings.ca.gov](http://www.P65Warnings.ca.gov)

<p><b>Important:</b> Installation instructions and current rough-in are furnished with each fixture. Do not rough in without certified dimensions. Dimensions are subject to manufacturer's tolerance of plus or minus 1/4" and change without notice. Acorn assumes no responsibility for use of void or superseded data. © Copyright 2009 Acorn Engineering Company</p>	
<p style="text-align: center;">Selection Summary</p> <p>Model No. &amp; Option _____</p> <p>Quantity _____</p>	<p style="text-align: center;">Approved for Manufacturing</p> <p>Company _____ Title _____</p> <p>Signature _____ Date _____</p>