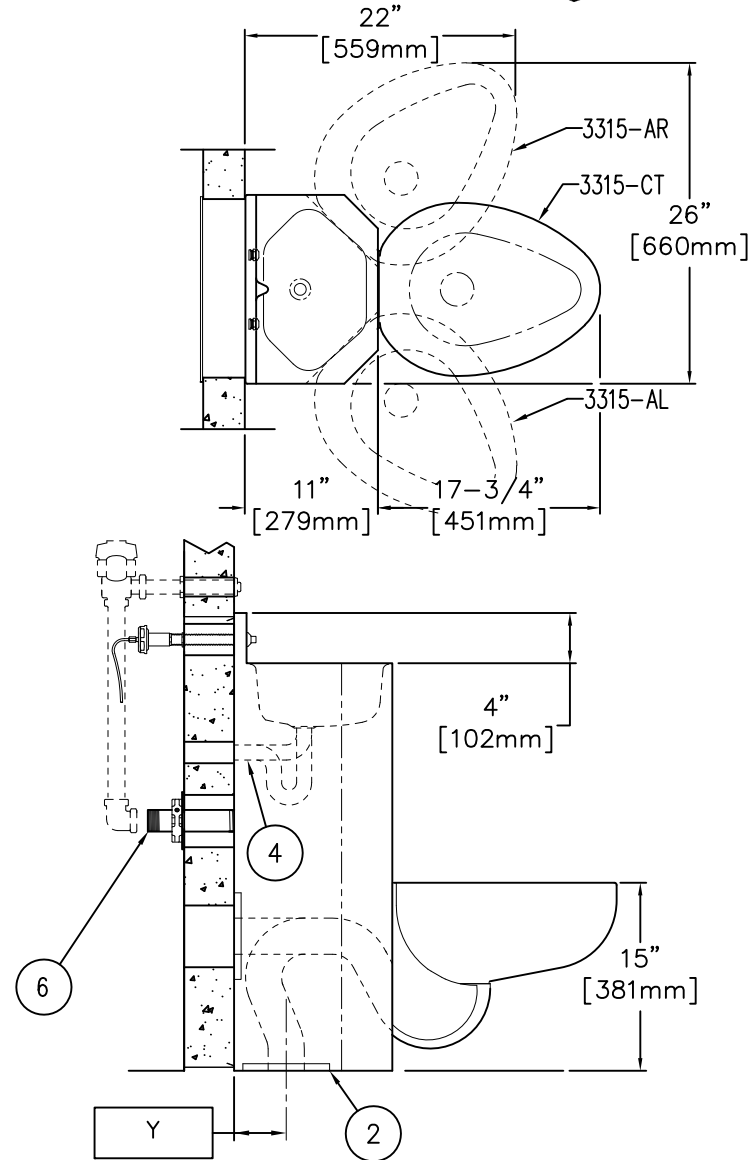
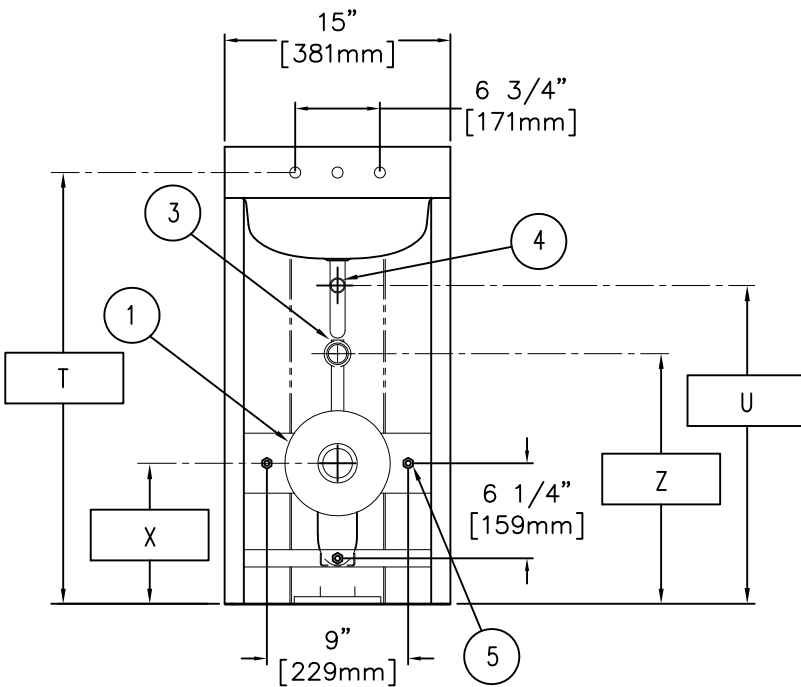




REFERENCE DRAWINGS	
-4 AIR-CONTROL (HOT & COLD)	9905-010-003
-3 AIR-CONTROL (SINGLE TEMP.)	9905-011-003
3395 ANCHORING ASSEMBLY	9925-759-001

**REAR VIEW OF 3315-CT & 3315-AR UNITS.
3315-AL UNITS OPPOSITE.**



INSTALLATION INSTRUCTIONS:

IMPORTANT: SOME OPTIONS MAY SLIGHTLY ALTER INSTALLATION PROCEDURES. READ ALL SUPPLEMENTAL DRAWINGS BEFORE INSTALLATION OF FIXTURE. ACORN CANNOT ASSUME ANY RESPONSIBILITY FOR UNITS IMPROPERLY INSTALLED.

MAKE-UP THE FOLLOWING PLUMBING CONNECTIONS:

A- **TOILET WALL WASTE OUTLET:** 7-1/2" DIA. RECESSED

- GASKET FLANGE (1).

TOILET FLOOR WASTE OUTLET: 7-1/2" DIA RECESSED

- GASKET FLANGE WITH 5/16" TAPPINGS AT 6" O/C (2).
- FLUSHING INLET CONNECTION 1-1/2" NPT (3).
- LAVY WASTE OUTLET (4) 1-1/4" NPT.
- SEE INDIVIDUAL VALVE SHEET FOR LAVY VALVE ROUGH-IN.

B- BEFORE FASTENING FIXTURE TO THE WALL, FLOOR OUTLET TYPE FIXTURES MUST BE SET IN PLACE ON WASTE CONNECTION.

C- REFER TO VALVE INSTALLATION SHEETS LISTED. INSTALL VALVE TO FIXTURE. VALVE PROVIDES UPPER FIXTURE SUPPORT.

D- OFF FLOOR UNITS:

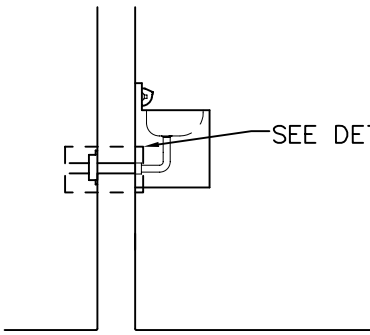
MOUNT FIXTURE TO THE WALL USING EXISTING 5/8" UNC CARRIER STUDS AT MOUNTING LOCATIONS (5), ADDITIONAL MOUNTING IS WITH AIR-CONTROL VALVE ASSEMBLY.

ON FLOOR UNITS:

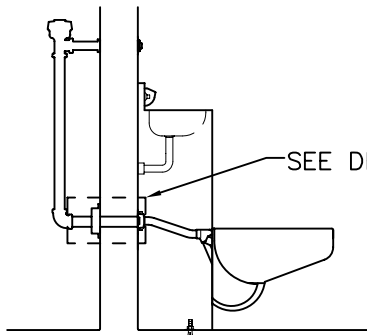
FIXTURE MOUNTING IS WITH AIR-CONTROL VALVE ASSEMBLY. RECOMMENDED ADDITIONAL MOUNTING IS WITH OPTIONAL MODEL #3395 MOUNTING ADAPTER (6).

E- MAKE-UP FLUSH VALVE (3) AND LAVY WASTE (4) CONNECTIONS.

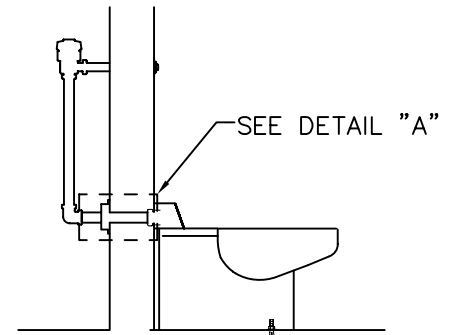
ACORN ENGINEERING COMPANY P.O. BOX 3527 Industry, CA 91744 15125 Proctor Ave Industry, CA 91746 (626) 336-4561 FAX (626) 961-2200	TITLE REPLACE-WARE 15" LAV-TOILET COMBY INSTRUCTIONS CAT. #3315-CT/AL/AR	
	MANUFACTURE DATE MARCH 10 1999 TO PRESENT	DATE ISSUED 03/10/99
	DATE REVISED 08/08/14 C	



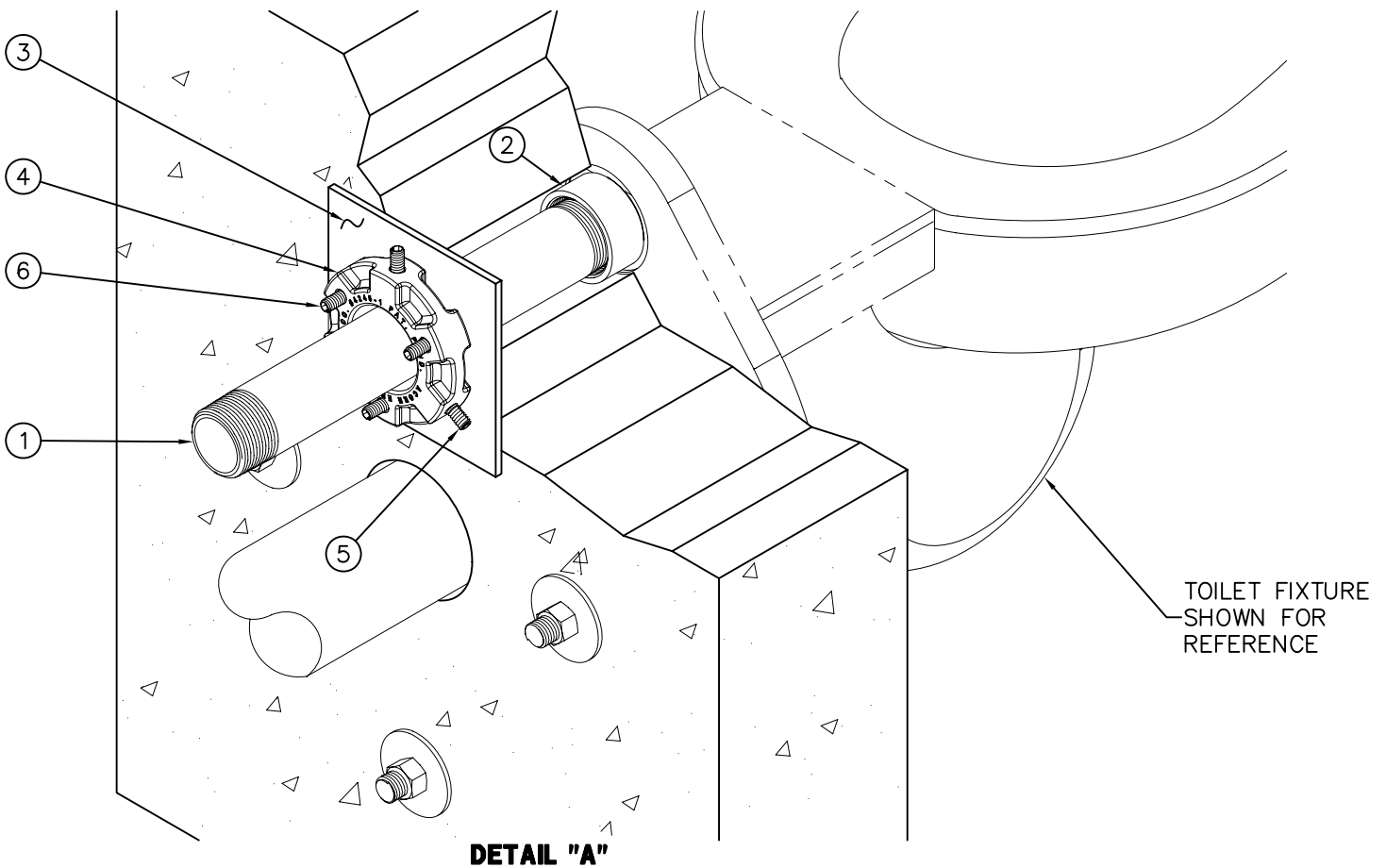
Lavy Waste Connection



Comby Flushing Inlet Connection



Toilet Flushing Inlet Connection



INSTALLATION INSTRUCTIONS:

- A- SECURE PIPE (1) TO FIXTURE CONNECTION (2) THROUGH WALL.
- B- PLACE THRUST PLATE (3) FLUSH AGAINST WALL.
- C- PLACE ANCHORING COLLAR (4) FLUSH AGAINST THRUST PLATE (3).
- D- HOLD UNIT AGAINST WALL, PARALLEL TO THE FLOOR.

- E- TIGHTEN SCREWS (5) (3 PLACES) TO SECURE ANCHORING COLLAR (4) TO PIPE (1).
- F- TIGHTEN SCREWS (6) (3 PLACES) TO PULL PIPE (1) AND PUSH AGAINST THRUST PLATE (3) IN ORDER TO HOLD FIXTURE WITH TENSION AGAINST WALL.



ACORN ENGINEERING COMPANY
P.O. BOX 3527 INDUSTRY, CA. 91744
(626) 336-4561 FAX (626) 961-2200

TITLE 3395 ANCHORING ASSEMBLY		
MANUFACTURE DATE MAY 1998 TO PRESENT	DATE ISSUED 10/06/99	DRAWING NUMBER 9925-759-001
	DATE REVISED 04/08/11	