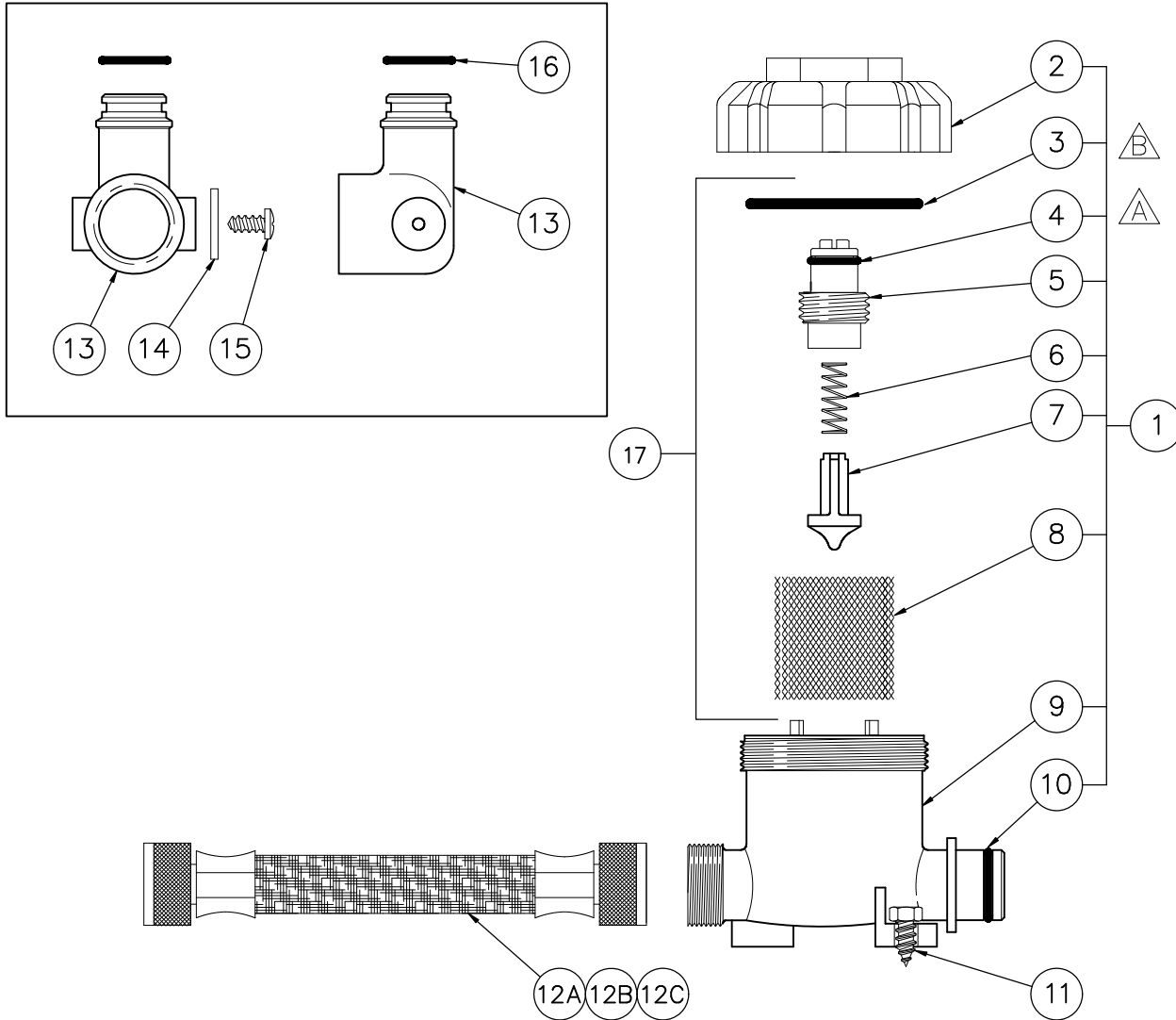




**ELBOW ASSEMBLY USED ONLY ON WASH-WARE & MERIDIAN MIXING VALVES.**



1	2570-000-001	CHECKSTOP STRAINER --ASSY COMPLETE	10	0401-016-000	O-RING
2	2570-012-000	STOP BONNET	11	0124-005-000	#10 x 1/2" HX HEAD SELF TAPPING SCREW
3	0410-129-000	#129 O-RING 1-9/16 X 1-3/4 X 3/32 <sup>△</sup>	12A	2195-010-000	1/2" NPS x 6-1/4" STN. STL. INLET HOSE
4	0410-012-000	O-RING	12B	2195-015-000	1/2" NPS x 15-3/4" STN. STL. INLET HOSE
5	2570-015-199	STOP STEM	12C	2195-024-000	1/2" NPS x 24" STN. STL. INLET HOSE
6	2415-002-000	SPRING	13	2570-001-199	M x F PLASTIC ELBOW
7	2570-014-000	CHECK STEM	14	0331-034-000	SPACER WASHER
8	2570-018-000	STRAINER	15	0124-030-000	#8 x 3/8" PAN HEAD SCREW
9	2570-011-001	STOP BODY ASSEMBLY	16	0410-015-000	O-RING
			17	2570-012-001	STRAINER ASSY KIT (ITEM 3 THRU 8)
ITEM	PART NUMBER	DESCRIPTION	ITEM	PART NUMBER	DESCRIPTION

<p>MORRIS GROUP INTL P.O. BOX 3527 Industry, CA 91744 15125 Proctor Ave Industry, CA 91746 MORRIS GROUP INTERNATIONAL (626) 336-4561 FAX (626) 961-2200</p>	<p>TITLE <b>PLASTIC AIR-CONTROL CHECKSTOP STRAINER ASSEMBLY</b></p>		
	<p>MANUFACTURE DATE</p> <p><b>DECEMBER 1995</b></p> <p><b>TO PRESENT</b></p>	<p>DATE ISSUED</p> <p><b>12/07/95</b></p>	<p>DRAWING NUMBER</p> <p><b>9956-040-003</b></p>
		<p>DATE REVISED</p> <p><b>01/18/23</b></p>	