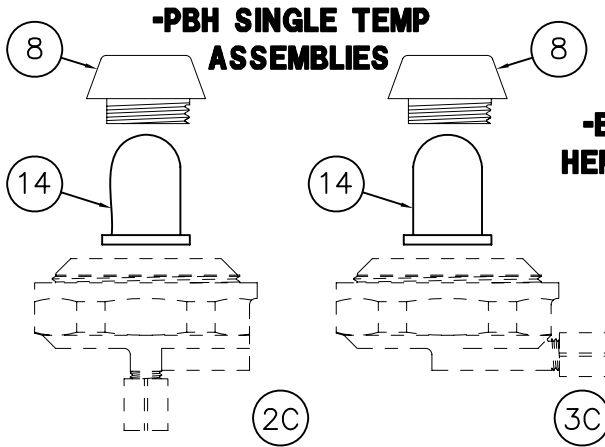
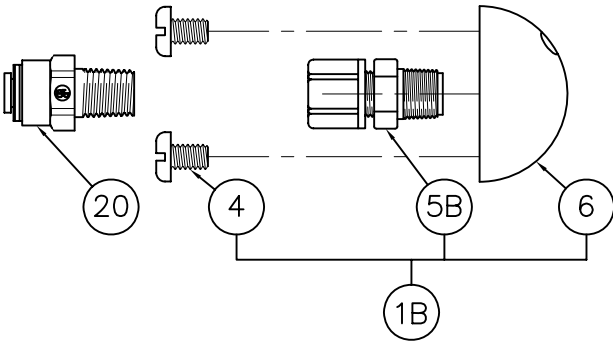
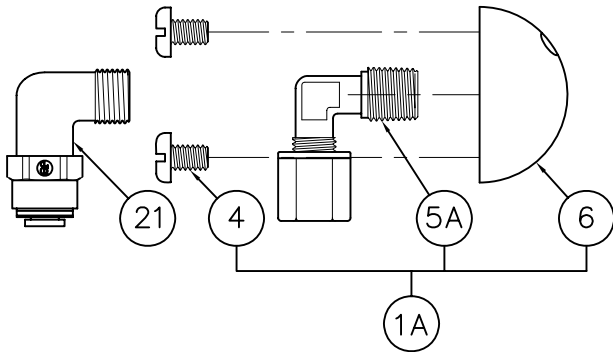
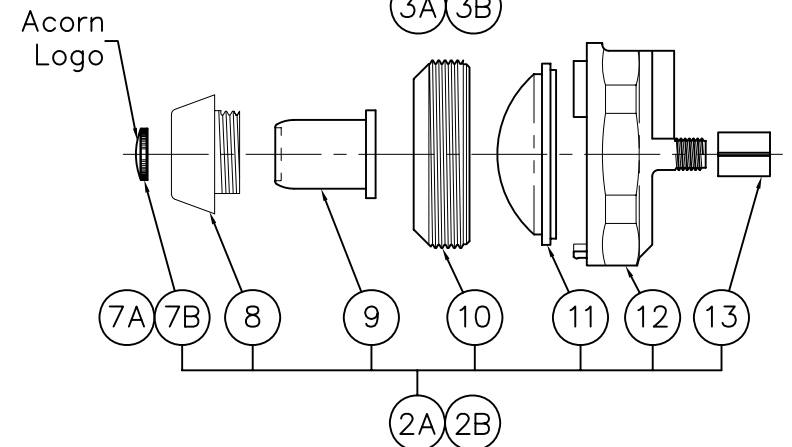
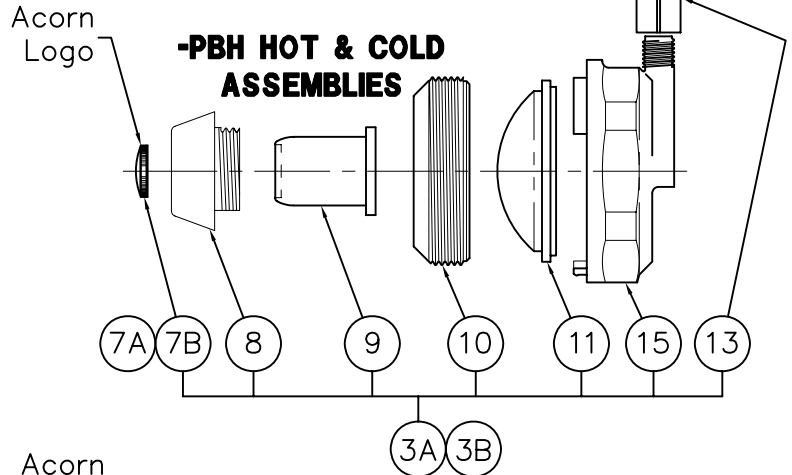




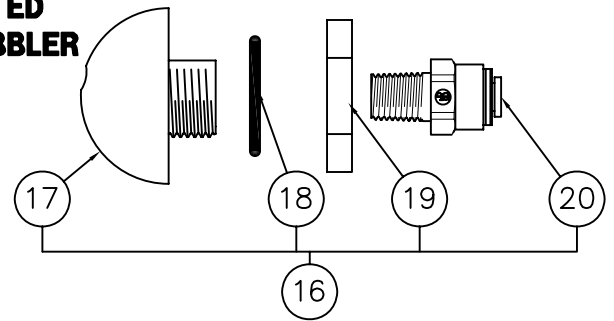
-BPH BUBBLER ASSEMBLIES



-PBH HOT & COLD ASSEMBLIES



-BPH DECK MOUNTED HEMISPHERICAL BUBBLER ASSEMBLY



1A	4025-050-001	HEMI-BUBBLER, ROUND w/ ELBOW ASSY	8	4005-030-199	ESCUTCHEON FOR HEMISPHERICAL P/B
1B	4025-051-001	HEMI-BUBBLER ROUND, w/ STRAIGHT ASSY	9	4005-035-199	PUSHBUTTON FOR LOGO BUTTON
2A	2566-191-001	HEMI-PUSHBUTTON, "HOT" BCK OUT ASSY	10	2566-022-000	ESCUTCHEON RETAINER
2B	2566-192-001	HEMI-PUSHBUTTON, "COLD" BCK OUT ASSY	11	2566-001-000	DIAPHRAGM
2C	2566-150-001	HEMI-PUSHBUTTON, S/TEMP BCK OUT ASSY	12	2566-056-199	DIAPHRAGM RETAINER BACKOUTLET
3A	2566-201-001	HEMI-PUSHBUTTON, "HOT" SIDE OUT ASSY	13	1895-450-000	1/8" FERRULE NUT
3B	2566-202-001	HEMI-PUSHBUTTON, "COLD" SIDE OUT ASSY	14	4005-031-199	SINGLE TEMP PUSHBUTTON
3C	2566-160-001	HEMI-PUSHBUTTON, S/TEMP SIDE OUT ASSY	15	2566-055-199	DIAPHRAGM RETAINER SIDE OUTLET
4	0126-504-000	#1/4-20 x 3/8" PAN HEAD SCREW	16	4854-007-001	-BPH HEMISPHERICAL DECK BUBBLER ASSY
5A	1895-152-000	1/4" TUBE x 1/4" NPT NYLON ELBOW	17	4025-070-199	DECK MOUNTED HEMISPHERICAL BUBBLER
5B	1895-002-000	1/4" TUBE x 1/4" NPT NYLON STRAGHT	18	0401-120-000	O-RING
6	4025-050-199	HEMISPHERICAL BUBBLER	19	0308-020-000	1/2" NPSMI BRASS NUT
7A	2292-113-000	"HOT" RED ACORN LOGO BUTTON	20	1895-125-000	1/4" NPT X 1/4" OD PUSH-IN
7B	2292-114-000	"COLD" BLUE ACORN LOGO BUTTON	21	1895-705-000	1/4" NPT X 1/4" OD PUSH-IN ELBOW
ITEM	PART NUMBER	DESCRIPTION	ITEM	PART NUMBER	DESCRIPTION

ACORN ENGINEERING COMPANY
P.O. BOX 3527 INDUSTRY, CA. 91744
(626) 336-4561 FAX (626) 961-2200

TITLE **SUICIDE RESISTANT FIXTURE TRIM**

MANUFACTURE DATE
OCTOBER 1996
TO PRESENT

DATE ISSUED
07/19/01
DATE REVISED
09/18/08

DRAWING NUMBER
9957-060-001