



Penal-Ware® R1418 Series Modified 18" Lav-Toilet Comby



R1418-CT-2-BP-04-FV-PHLF



R1418-AL-2-BP-04-FV-PHC

Fixture May Show Some Available Options



Please visit www.acorneng.com for most current specifications.

Modified 18" Lav-Toilet Comby - Replacement

Acorn R1418-REPL Lav-Toilet Comby is designed to replace a variety of existing combination fixtures using existing waste and mounting hardware. Customer provided field measurements are required where indicated on submittal drawing.

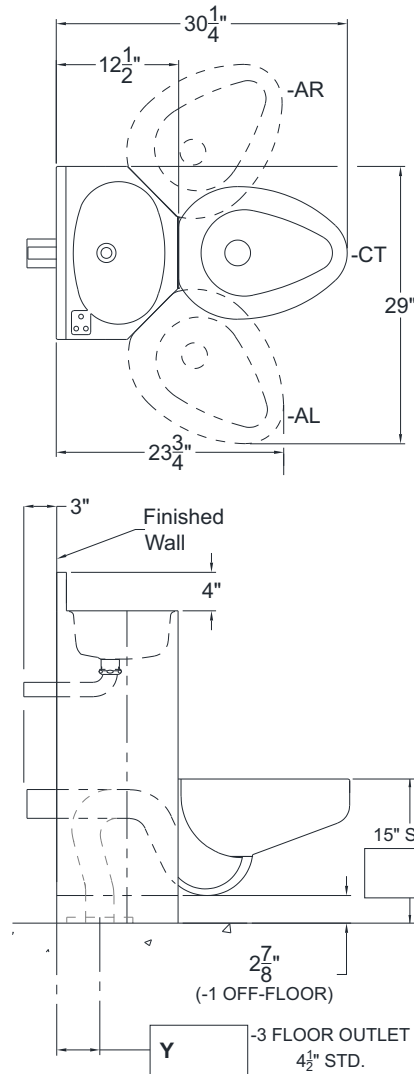
Fixture is arranged to be installed on finished wall and serviced from an accessible pipe chase.

Cabinet and Toilet Bowl are fabricated from 14 gage, type 304 stainless steel and is seamless welded construction with a satin finish. The inside of the toilet bowl has a satin finish. Cabinet interior is sound-deadened with fire-resistant material. There are no accessible voids or crevices where contraband can be concealed.

Lavatory Bowl Standard Oval Bowl is 14-3/4" x 9-1/2" x 5" deep. Standard Elbow Waste outlet is 1-1/2" O.D. plain end extended 3" beyond back of fixture. -PT P-trap and -CW Combined Waste are optionally available.

Toilet is blowout jet type with elongated bowl manufactured to ASME A112.19.3-2008 and CSA B45.4-2008 requirements and will flush with a minimum of 25 PSI flow pressure when used in conjunction with a minimum of 1.6 GPF. Trap has a minimum 3-1/2" seal and will pass a 2-1/8" ball. Toilet waste outlet connection is 2-3/8" plain end extended 3" beyond back of fixture unless otherwise specified. -GW Gasket Waste connection is optionally available.

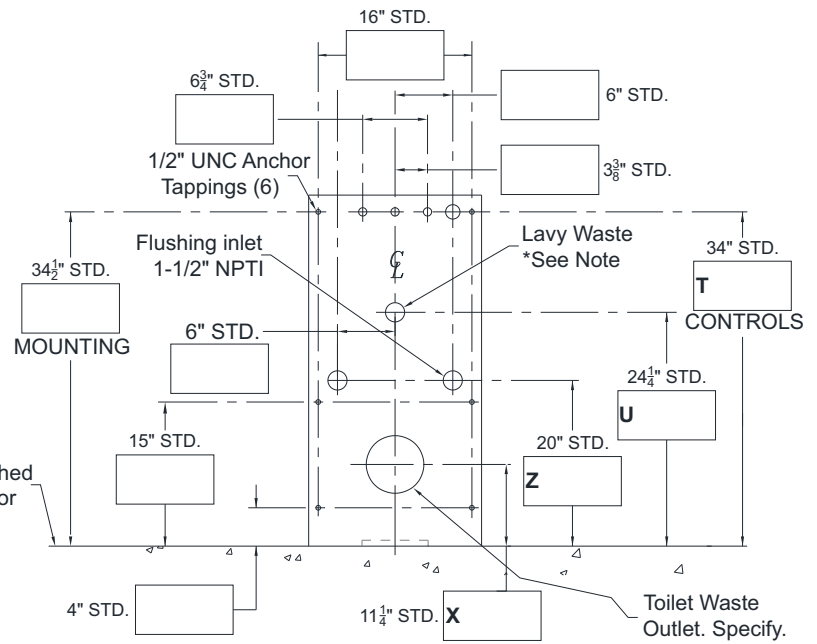
Penal-Ware® R1418: Modified 18" Lav-Toilet Comby



Note:
 Standard Elbow Waste is 1 1/2" OD Plain End.
 -PT P-trap Waste is optionally available.
 Specify when threaded connection is required.

1 1/4" NPT FEMALE
 1 1/2" NPT FEMALE

SPECIFY PUNCHING IF RE-USING EXISTING VALVE (-9 VALVE OPTION)			
			1-1/8" DIA.
			1-1/8" SQ.
			7/8" DIA. "D"
Flush Valve Button Punching Diameter:			1 1/2" STD.



ROUGH-IN VIEW FROM FIXTURE SIDE
 -CT CENTERED / -AR ANGLED RIGHT SHOWN
 UNITS WITH -AL ANGLED LEFT TOILET WILL RECEIVE
 FLUSHING INLET ON LEFT HAND SIDE FACING UNIT.
 ALL DIMENSIONS ARE FROM FINISHED FLOOR, OR FINISHED WALL.



Penal-Ware® R1418: Modified 18" Lav-Toilet Comby

WALL THICKNESS AND TYPE (Must Specify)

Thickness: _____ Type: Concrete Block Steel

MODEL AND OPTIONS SELECTION:

BASE MODEL NUMBER

R1418 18" Lav-Toilet Comby

TOILET ORIENTATION (Must Specify)

- AL Angled Left
- AR Angled Right
- CT Centered Toilet

FIXTURE MOUNTING AND WASTE (Must Specify)

- 1 Off-Floor, Wall Outlet
- 2 On-Floor, Wall Outlet
- 3 On-Floor, Floor Outlet

BUBBLER SELECTION (Must Specify)

- BC Bubbler, Code
- BP Bubbler, Penal
- BPH Bubbler, Penal Hemispherical
- LF Lav-Filler

VALVE SELECTION (Must Specify)

Air-Control (Pneumatic)

- 03 Single Temp, Non-Metering
- 03-M Single Temp, Metering
- 04 Hot & Cold, Non-Metering
- 04-M Hot & Cold, Metering
- 04-MH Hot & Cold, Metering Hot Side Only

Master-Trol® (Electronic)

- EVS1 Single Temp
- EVS2 Hot & Cold
- EVSP1 Single Temp, Piezo Button
- EVSP2 Hot & Cold, Piezo Buttons

Master-Trol® PLUS (Electronic)

- MTP1 Single Temp
- MTP2 Hot & Cold
- MTPP1 Single Temp, Piezo Button
- MTPP2 Hot & Cold, Piezo Buttons

-MTP VALVE OPTION

- PFB Power Failure Bypass (Provides emergency drinking water in the event of power failure)

Time-Trol® (Electronic)

- MVC1 Single Temp
- MVC1-BAT Single Temp Battery Powered (Batteries Not Included)
- MVC2 Hot & Cold
- MVC2-BAT Hot & Cold Battery Powered (Batteries Not Included)

Valve By Others

- 9 Punched for Valve by Others (Details Required)

VALVE OPTIONS

- BRS Brass Body Valve
- CI Cycle Interrupt for Time-Trol® Valves
- MA2 Manifolder, 2-Stack
- MA3 Manifolder, 3-Stack
- MA4 Manifolder, 4-Stack
- PBH Hemispherical Pushbutton
- PBP Pushrod Activated Pushbutton
- TF Transformer, 120VAC to 24VAC (-MVC option only)

Please visit www.acorneng.com for most current specifications.

FLUSH VALVE GPF's (Must Specify)

- 1.28 GPF (HET)
- 1.6 GPF
- 3.5 GPF

FLUSH VALVE OPTIONS (Must Specify)

- EVSFV Master-Trol® Electronic Flush Valve
- EVSPFV Master-Trol® Electronic Flush Valve w/ Piezo Button
- FV Flush Valve, Mechanical
- FVBO Flush Valve by Others
- FVH Flush Valve, Hydraulic
- MTPFV Master-Trol® PLUS Electronic Flush Valve
- MTPPFV Master-Trol® PLUS Electronic Flush Valve w/ Piezo Button
- MVCFV Time-Trol® Electronic Flush Valve

CABINET OPTIONS

- FMT Fixture Mounted Trim
- IS Integral Shelf
- PH Paper Holder L R C LF RF
- TB Toothbrush Holder Left Right
- TG 12 Gage Cabinet
- TH Towel Hook Single Double Left Right
- VG1 Vent Grille, 5-3/4" x 8-3/4" L R LF RF
- VG2 Vent Grille, 8-3/4" x 13" (Bottom Only)(-1 Only)

LAVATORY WASTE OPTIONS

- CW Combined Waste
- LW1 Lavy Thru-Wall Extension with P-Trap
- LWE Lavy Waste Extension (3" Standard) Specify Length Beyond Fixture: _____
- OF Lavatory Overflow
- PT 1-1/2" O.D. Removable P-Trap Waste with Plain End

TOILET OPTIONS

- CO1 Cleanout w/ 2-3/8" OD O-Ring Connection to No-Hub 4" (Plain End Only, Not Applicable with GW or -3 Floor Outlet)
- CO1-3 Cleanout w/ 2-3/8" OD O-Ring Connection to No-Hub 3" (Plain End Only, Not Applicable with G or -3 Floor Outlet)
- COH Cleanout Hook Assembly
- FT Flood-Trol
- FTA Flood-Trol, Auto-Reset
- FTE Flood-Trol, Electronic
- FVO Flush Valve Opposite In Lieu of Standard Location
- FVT Flush Valve Thru Wall Connector
- GW Gasketed Toilet Waste (Wall Outlet)
- HPS High Polish Seat #7 Finish
- HS Hinged Seat
- PC Pinned Cleanout Plug (For -CO1 Options above)
- SPS Ligature Resistant Skirt
- TSC Toilet Shipping Cover
- TWE Toilet Waste Extension (3" Standard) Specify Length Beyond Fixture: _____
- WO3B 2-3/8" P-Trap w/ 3" Plain End Waste Outlet

PRODUCT OPTIONS

- EGE Enviro-Glaze Color Specify: _____ Toilet Exterior Only
- LPFV Less Punching for Flush Valve
- MT Metal Template (Only 1 Required Per Project)
- SW Wall Sleeve
- VAC AcornVac System

WARNING: Cancer and Reproductive Harm - www.P65Warnings.ca.gov

Important: Installation instructions and current rough-in are furnished with each fixture. Do not rough in without certified dimensions. Dimensions are subject to manufacturer's tolerance of plus or minus 1/4" and change without notice. Acorn assumes no responsibility for use of void or superseded data. © Copyright 2009 Acorn Engineering Company

<p style="text-align: center;">Selection Summary</p> <p>Model No. & Option _____</p> <p>Quantity _____</p>	<p style="text-align: center;">Approved for Manufacturing</p> <p>Company _____ Title _____</p> <p>Signature _____ Date _____</p>
--	--