

Model S1320-PVC

Combination Station, Plastic Bowl
Eye/Face Wash and Showerhead



SPECIFICATIONS:

Model S1320-PVC is a pedestal mounted combination station with an eye/face wash, with an ABS plastic bowl, ABS plastic eye/face wash spray heads, a stay-open 3/4" PVC ball valve with a push handle and a shower with a plastic showerhead and a 1" stay-open PVC ball valve with a pull rod. All pipe and pipe fittings are dark gray schedule 80 PVC.

STANDARD EQUIPMENT:

Showerhead: Yellow, ABS plastic 7-3/8" diameter showerhead with a 20 gpm flow regulator. An anti-microbial agent is molded into the ABS material, providing integral protection.

Shower Valve: 1" schedule 80 PVC stay-open valve with Teflon seals. Unit is provided with electro-polished stainless steel actuator arm and a 29" stainless steel pull rod electro polished for added corrosion resistance.

Eye/Face Wash Bowl: Yellow, ABS plastic 11-3/4" diameter bowl.

Spray Head Assembly: ABS yellow plastic Eye/Face Wash heads supplied by a combined integral 3.7 GPM (14 LPM) Flow Control, with integral flip Dust Covers, internal Flow Controls and Filters to remove debris from the water. An anti-microbial agent is molded into the ABS material, providing integrated protection.

Eye/Face Wash Valve: 3/4" schedule 80 PVC stay-open valve with Teflon seals. Unit is provided with a stainless steel push handle electro polished for added corrosion resistance.

Water Supply: 2" schedule 80 PVC socket, top inlet.

Waste: 1-1/2" schedule 80 PVC socket.

Piping & Mounting: 2" schedule 80 PVC, upper piping. 2-1/2" schedule 80 PVC, lower pedestal pipe for added strength. 7" diameter heavy duty schedule 80 PVC mounting flange.

Universal Sign: ANSI compliant, Safety Eye/Wash identification sign.

Weekly Test Tag: A waterproof test card to record the date and inspector's name for weekly functional testing of the unit.

Model: S1320-PVC



OPTIONAL ACCESSORIES:

Additional costs may be incurred

- ET71-2-BVS-OTG

Thermostatic mixing valve is ASSE Listed per the ASSE 1071 standard. The tepid output water complies with ANSI Z358.1 standard. Valve includes Ball Valve Shut-offs and Outlet Temperature Gauge



Member of
U.S. Green
Building Council

Acorn Safety assumes no responsibility for use of void or superseded data. © Copyright Acorn Safety®, City of Industry, CA, Division of Acorn Engineering Company®, Member of Morris Group International™. Please visit www.acorneng.com for most current specifications.

Submittal # **S1320-PVC**
[CMB] Date: 01/08/20

Product carries the following certifications:



Test rating conditions are compliant to ANSI Z358.1



Division of
Acorn Engineering Company®,
Member of
Morris Group International™

ACORN SAFETY

P.O. Box 3527
City of Industry, CA
91744 U.S.A.

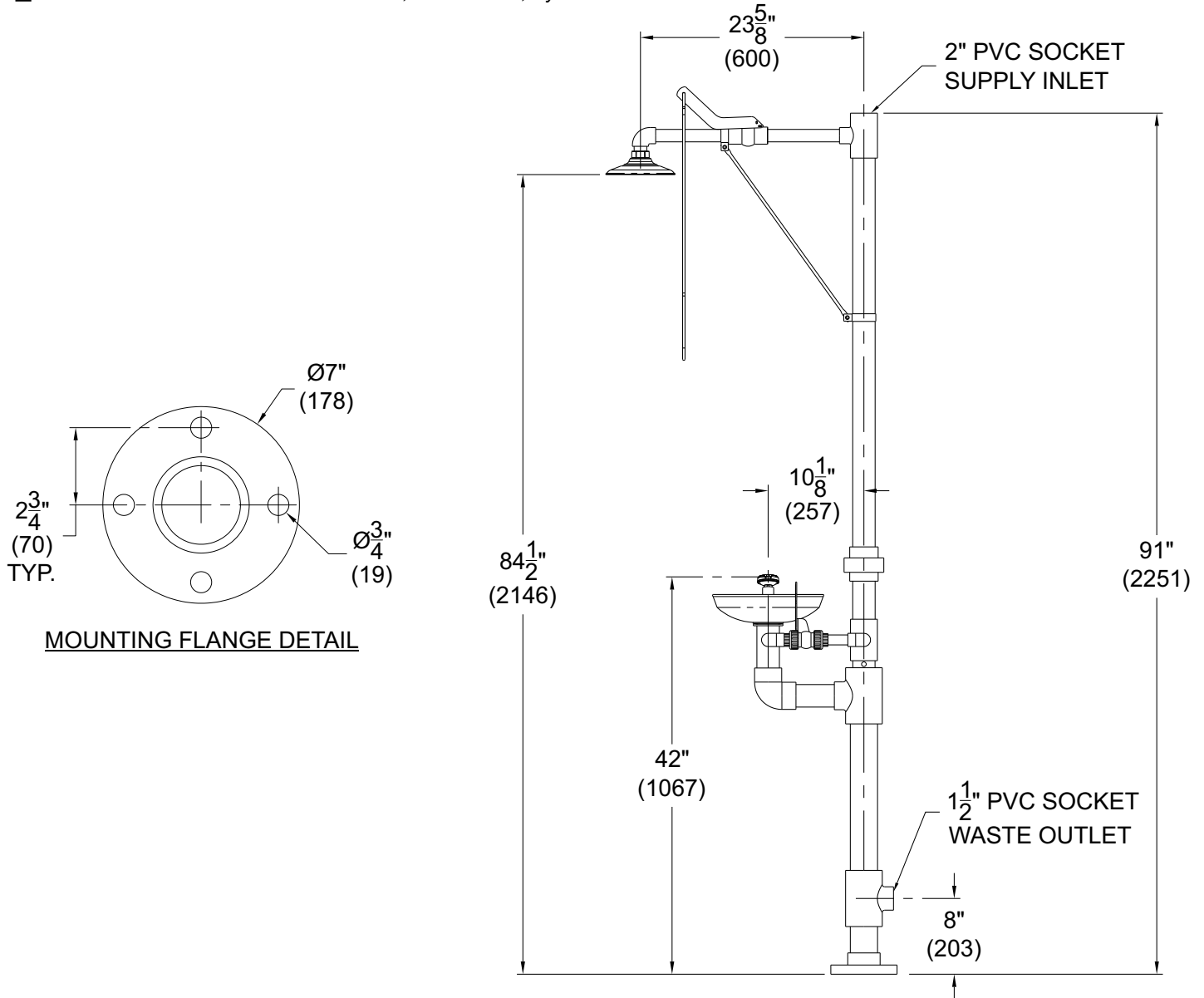
Phone 800-591-9372
626-855-4804

www.acorneng.com

TECHNICAL DIMENSIONS

All dimensions are subject to manufacturer's tolerance of plus or minus 1/2" nominal and subject to change without notice. Acorn Safety® assumes no responsibility for use of void or superseded data. Dimensions may change with the addition of optional accessories. © Acorn Safety®, A Division of Acorn Engineering Company®, Member of Morris Group International™. Please visit www.acorneng.com for most current specifications.

☐ **Model S1320-PVC** : Combination Station, Plastic Bowl, Eye/Face Wash and Showerhead



GENERAL NOTES;

1. ALL DIMENSIONS ARE IN INCHES (MM).

⚠ **WARNING:** Cancer and Reproductive Harm - www.P65Warnings.ca.gov

S1320-PVC Date: 01/08/20

Acorn Safety warrants that its products are free from defects in material or workmanship under normal use and service for a period of one year from date of shipment. Acorn's liability under this warranty shall be discharged solely by replacement or repair of defective material, provided Acorn is notified in writing within one year from date of shipment, F.O.B. Industry, California.

SELECTION SUMMARY & APPROVAL FOR MANUFACTURING

Model Number & Options _____ Quantity _____

Company _____

Contact _____ Title _____

Signature (Approval for Manufacturing) _____ Date _____

800-591-9372
or 626-855-4804
www.acornsafety.com